

LED Indoor Lighting



CapLite

[Warm white] [Cool white]

► FEATURES

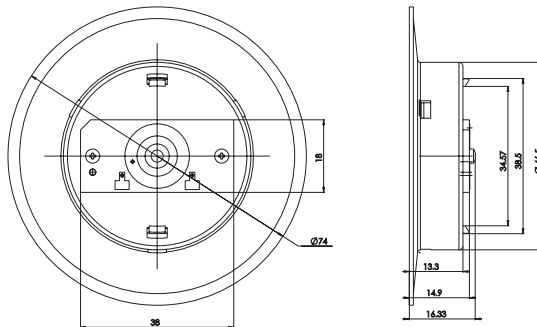
- Low profile mounting
- Intense spotlight beam
- Great for under and in cabinet lighting
- Simple 5V wiring and power

► SPECIFICATION

COLOR RANGE	3000K /6000K
LIGHT SOURCE	1X1W high power Luxeon LEDs
BEAM ANGLE	5 degrees
POWER REQUIREMENT	5V DC
POWER CONSUMPTION	1.2W
HOUSING	Aluminum
BASE TYPE	2-pin cable
LISTING	CE certified
OPERATION TEMPERATURE	-20 degC - +50 degC
DIMENSIONS	74mm (Dia) x 17mm(Depth)
WEIGHT	30g

► PHYSICAL DIMENSIONS

P/N: CL-CW-5V W 5V DC



** All rights reserved. Improvement and changes to specifications, design and all contents in this catalog, may be made at any time without prior notice.

► Photometric Data

Light source specifications

Optics: PMMA lens
 Light source: high power led
 Beam angle: 5deg
 Light distribution: symmetric direct illumination

Illuminance

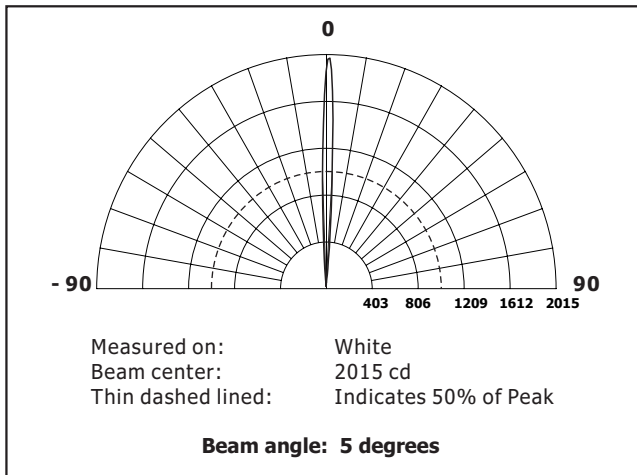
COLOR	1m		2m		3m		5m	
	Lux	Size (mm)	Lux	Size (mm)	Lux	Size (mm)	Lux	Size (mm)
WHITE	2002.2	98	500.6	196	222.4	294	80	490

* light pattern indicates the size at 50% of peak intensity

Light output

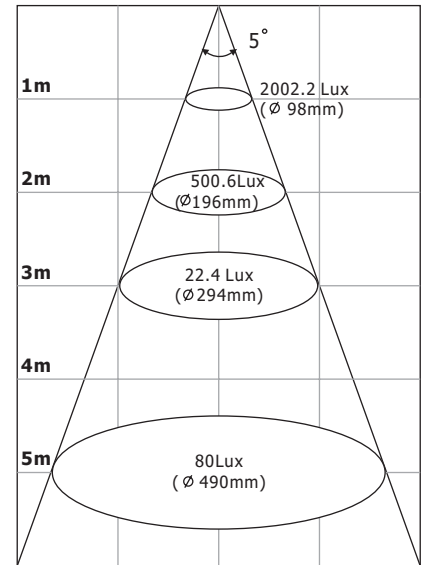
COLOR	Total (lumens)	Power(watts)	Efficacy(lm/W)
WHITE	22.1	1.2	18.5

Light distribution

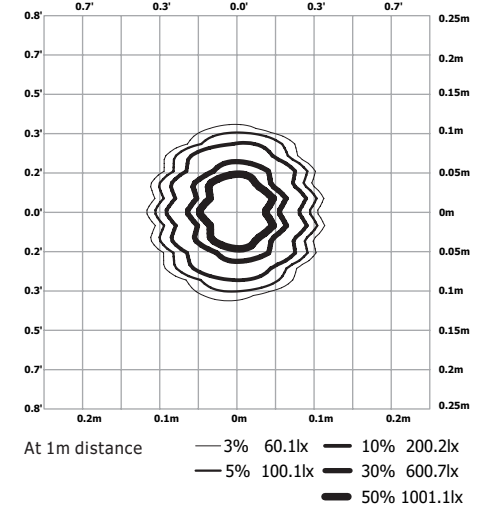


IES file is also available

Full intensity in white color



Isolux diagram



** All rights reserved. Improvement and changes to specifications, design and all contents in this catalog, may be made at any time without prior notice.