

LED controller



CRMR-DMX-4CH-24V



ColorRay 4



ColorRay MR

ColorRayMR DMX Driver

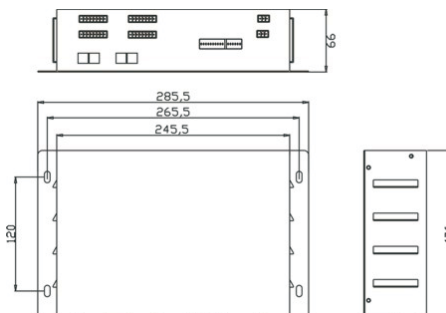
▶ FEATURES

- ColorRay MR DMX Driver is a high performance unit for driving a range of 3W LED RGB lighting, with 4 output terminals and RJ 45 sockets
- 10-position and 6-position Dip-switches for DMX address, work mode and output mode setup.
- USITT DMX512(1990) multiplexed digital control, via 3 pin connector terminals.
- DMX Control Mode and Stand Alone Mode built in .
- 0~100% fade time.
- 0.1S~30S chasing speed.
- Built-in programs 1~7 and a sequence of 7 programs(Auto).
- Ability to select up to 4 output group modes, including 1 Group, 2 Group, 3 Group and 4 Group.
- Up to 4 output loading modes available, including RGB mode, RGBA, White mode and White & Warm mode.
- Ability to select AC 88-132V/AC176-264V power input options.
- Power Failure Memory.

▶ SPECIFICATION

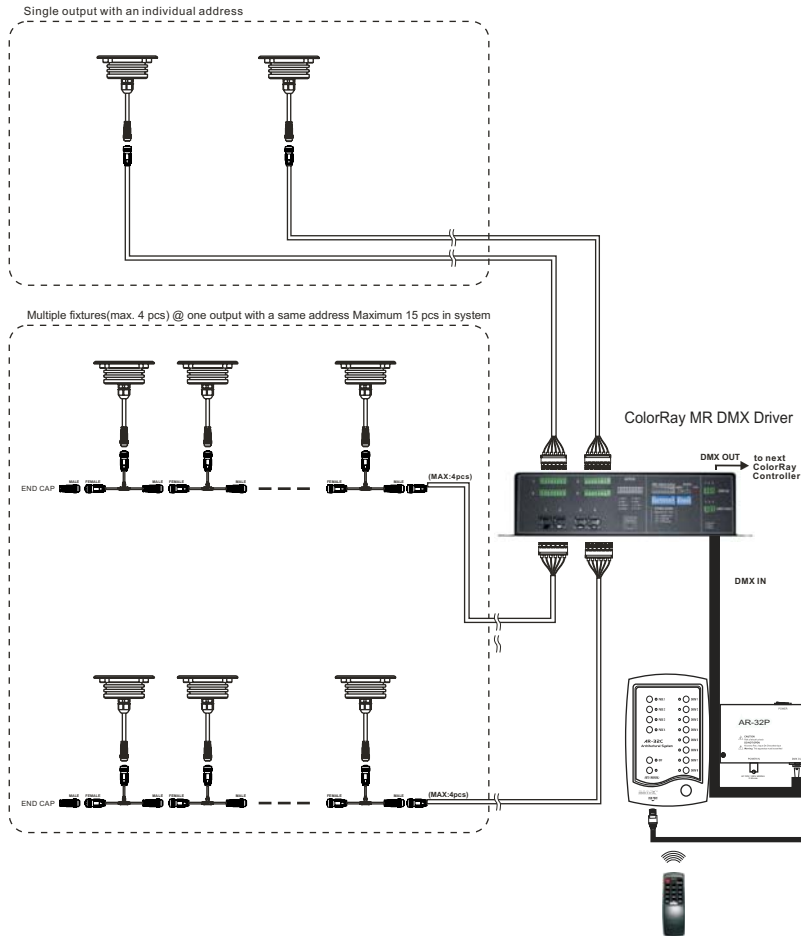
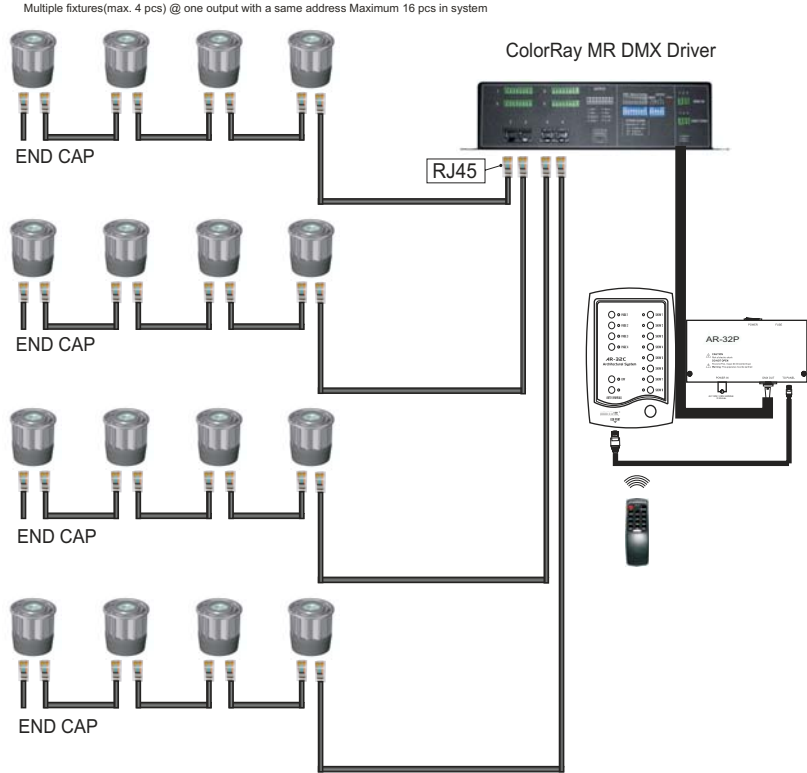
AC INPUT	AC 88-132V / AC176-264V
DATA INPUT	DMX 512 - 3-pin terminal socket
DATA OUTPUT	DMX data out - 3-pin terminal socket
OUTPUT	4pcs of 8-pin terminal sockets 3x700mA per output 4pcs of RJ 45 sockets 3x700mA per output
HOUSING:	Sheet metal with powder painting
INGRESS PROTECTION RATING	IP20
CONTROL	DMX-512 (1990)
LISTING	CE certified
OPERATION TEMPERATURE	-10 degC to +50 degC
STORAGE TEMPERATURE	-20 degC to +70 degC
DIMENSION	286mm(L) x 176(W) x 66mm(H)
WEIGHT	1.8Kg

▶ PHYSICAL DIMENSIONS



** All rights reserved. Improvement and changes to specifications, design and all contents in this catalog, may be made at any time without prior notice.

► SYSTEM CONFIGURATION



** All rights reserved. Improvement and changes to specifications, design and all contents in this catalog, may be made at any time without prior notice.