



ColorRay MR DMX Driver

ColorRay 4

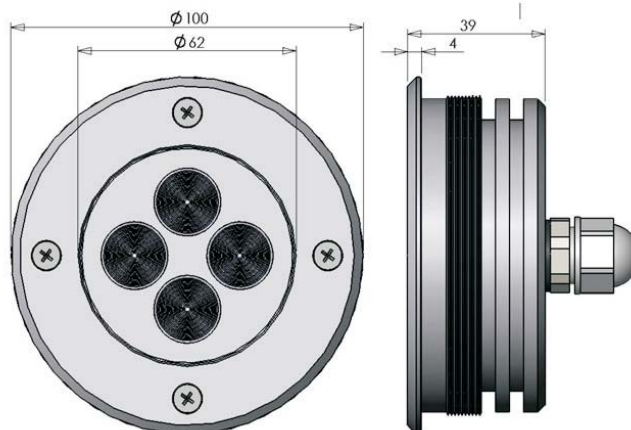
FEATURES

- Rich color changing effect
- Very long operation life in excess of 50,000 hours
- Low energy consumption
- Robust construction suitable for outdoor application
- Fully DMX controlled
- ColorRay LED DMX Driver build-in 7 preset programs with 8 selectable fade time & chasing speed

SPECIFICATIONS

COLOR RANGE	4.3 billion (32bit)
SOURCE LIFE	50,000 hours under normal operating conditions
LIGHT SOURCE	4 high power LEDs (Red, Green, Blue and Amber)
BEAM ANGLE	20 deg FWHM
POWER REQUIREMENT	350-700mA constant current per channel
POWER CONSUMPTION	8.8W Max at full intensity (RGBA)
LED TYPE	Luxeon K2 1 x 4
HOUSING	Machined Aluminum
CONNECTION	6 pin IP-67 Connector
LISTING	CE certified
OPERATION TEMPERATURE	-10 degC to +50 degC
STORAGE TEMPERATURE	-20 degC to +80 degC
DIMENSION	100mm(Dia) x 39mm(Depth)
WEIGHT	0.7Kg

PHYSICAL DIMENSIONS



ORDERING CODE

Part Number	Description
CR4-12W-RGBA-20	Inground RGBA Luxeon K2 x4 LED

** All rights reserved. Improvement and changes to specifications, design and all contents in this catalog, may be made at any time without prior notice.

PHOTOMETRIC DATA

Light source specifications

Optics: PMMA lens
 Light source: 4 high power LED (Red, Green, Blue, Amber)
 Beam angle: 20 deg
 Light distribution: symmetric direct illumination

ILLUMINANCE

COLOR	1m		2m		3m		5m	
	Lux	Size (mm)	Lux	Size (mm)	Lux	Size (mm)	Lux	Size (mm)
RED	129	315	35.1	625	15.6	940	5.6	1687
GREEN	96.2	315	156	625	69.6	940	25	1687
BLUE	17.2	315	23.1	625	10.3	940	3.7	1687
AMBER	122	315	34.4	625	15.3	940	5.5	1687
WHITE	290	315	219	625	97.5	940	35.2	1687

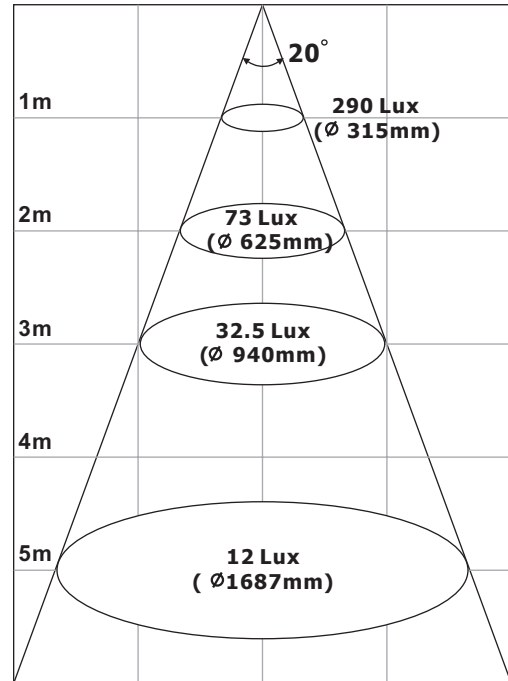
* light pattern indicates the size at 50% of peak intensity

LIGHT OUTPUT

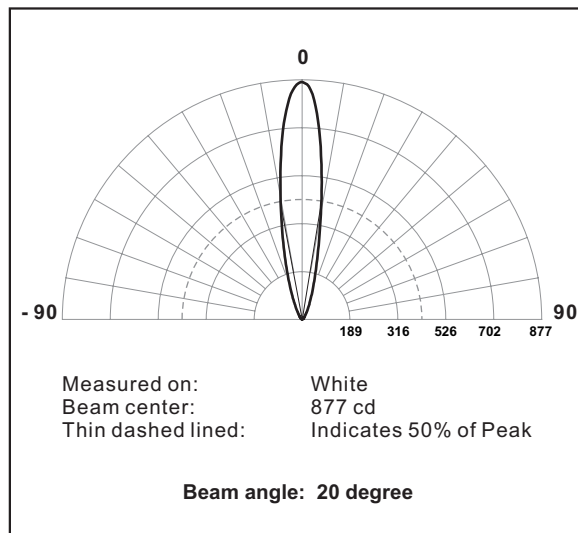
COLOR	Total (lumens)	Power(watts)	Efficacy(lm/W)
RED	25.6	1.7	15.1
GREEN	21.3	2.0	10.65
BLUE	3.73	2.5	n/a
AMBER	21.4	2.1	3.4
WHITE	70.1	8.3	8.5

* tested under ColorRay LED DRIVER control

Full intensity in white color

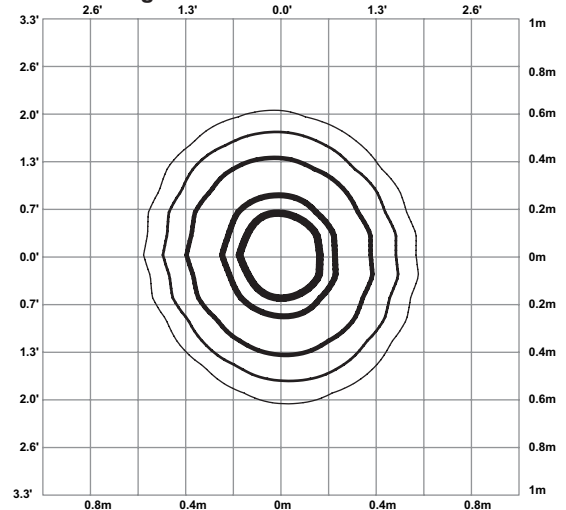


LIGHT DISTRIBUTION



IES file is also available

Isolux diagram

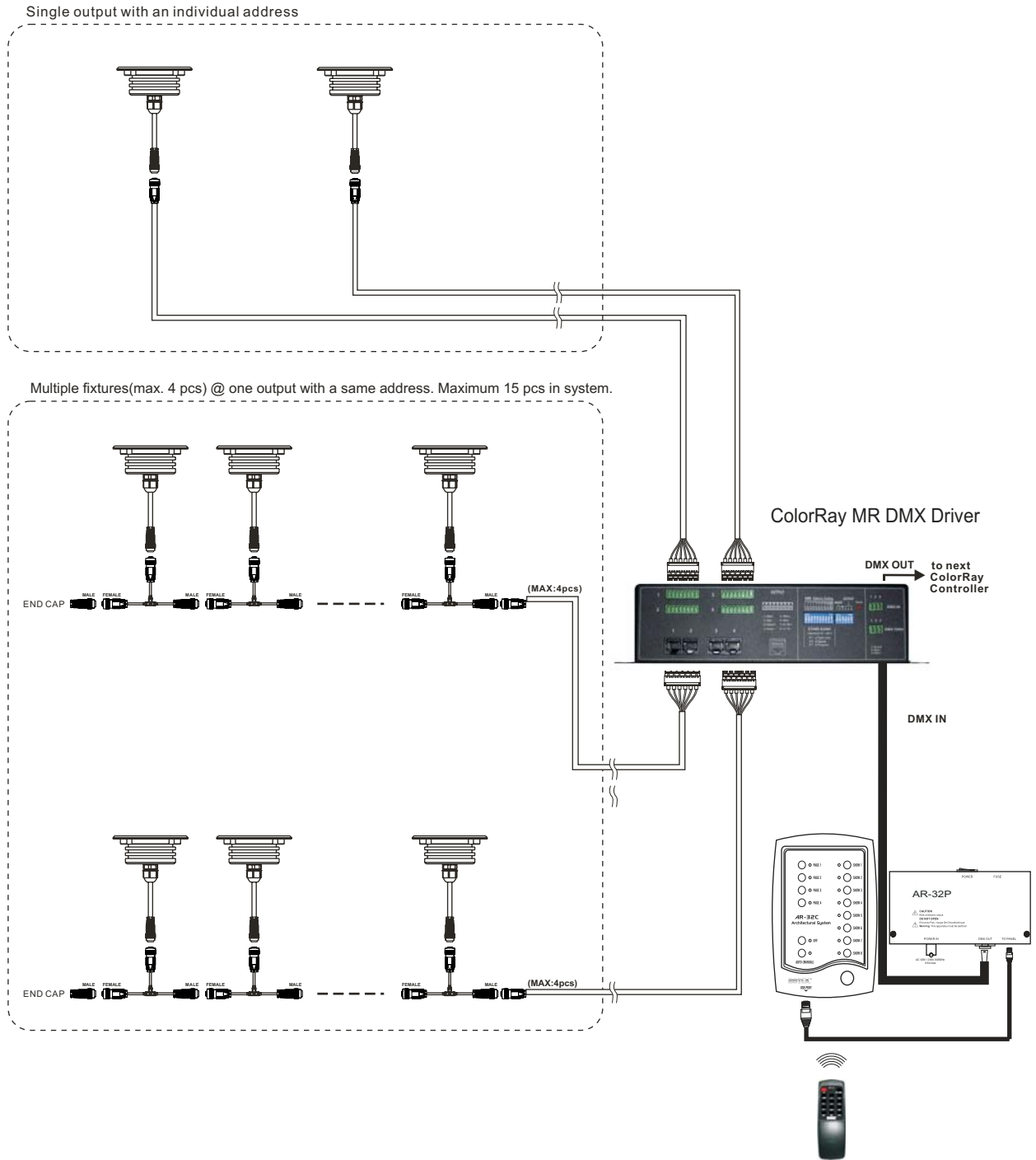


At 1m distance

- 3% 8.7lx
- 5% 14.5lx
- 10% 29lx
- 30% 87lx
- 50% 145lx

** All rights reserved. Improvement and changes to specifications, design and all contents in this catalog, may be made at any time without prior notice.

► LEDs Driver System Schematic Diagram



** All rights reserved. Improvement and changes to specifications, design and all contents in this catalog, may be made at any time without prior notice.