



ColorRay MR DMX Driver

ColorRay MR

FEATURES

- Rich color changing effect
- Very long operation life in excess of 50,000 hours
- Low energy consumption
- Robust construction suitable for outdoor application
- Fully DMX controlled
- ColorRay LED DMX Driver build-in 7 preset programs with 8 selectable fade time & chasing speed

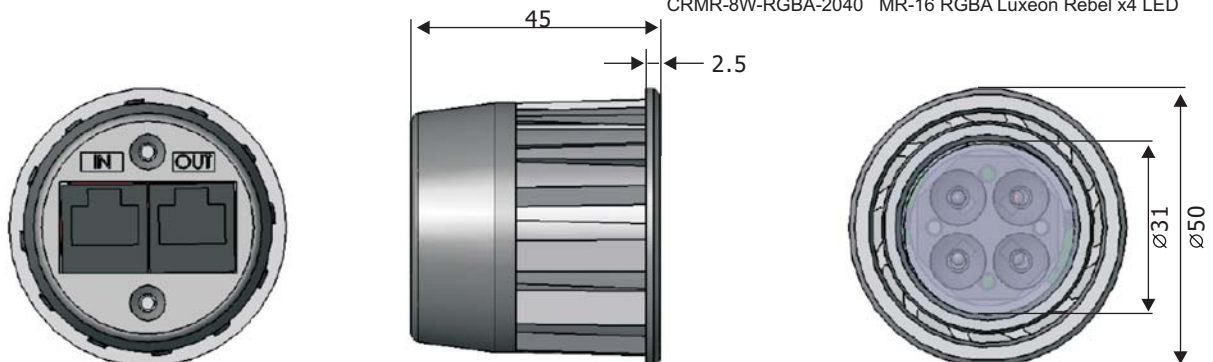
SPECIFICATIONS

COLOR RANGE	4.3 Billion (32bit)
SOURCE LIFE	50,000 hours under normal operating conditions
LIGHT SOURCE	4 high power LEDs (Red, Green, Blue and Amber)
BEAM ANGLE	20, 40 and 20x40 deg FWHM
POWER REQUIREMENT	350mA-750mA constant current per channel
POWER CONSUMPTION	8.8W Max at full intensity (RGBA)
LED TYPE	Luxeon Rebel x 4
HOUSING	Die cast aluminum painted silver
CONNECTION	Cat.5 cable with RJ45 connector
LISTING	CE certified
OPERATION TEMPERATURE	-10 degC to +50 degC
STORAGE TEMPERATURE	-20 degC to +80 degC
DIMENSION	50mm(Dia) x 45mm(Depth)
WEIGHT	0.1Kg

PHYSICAL DIMENSIONS

ORDERING CODE

Part Number	Description
CRMR-8W-RGBA-20	MR-16 RGBA Luxeon Rebel x4 LED
CRMR-8W-RGBA-40	MR-16 RGBA Luxeon Rebel x4 LED
CRMR-8W-RGBA-2040	MR-16 RGBA Luxeon Rebel x4 LED



** All rights reserved. Improvement and changes to specifications, design and all contents in this catalog, may be made at any time without prior notice.

PHOTOMETRIC DATA

Light source specifications

Optics: PMMA lens
 Light source: 4 high power LED (Red, Green, Blue, Amber)
 Beam angle: 20 deg
 Light distribution: symmetric direct illumination

ILLUMINANCE

COLOR	1m		2m		3m		5m	
	Lux	Size (mm)	Lux	Size (mm)	Lux	Size (mm)	Lux	Size (mm)
RED	140	321	35.1	642	15.6	963	5.6	1605
GREEN	626	350	156	700	69.6	1050	25	1750
BLUE	92.5	360	23.1	720	10.3	1080	3.7	1800
AMBER	137	325	34.4	650	15.3	975	5.5	1625
WHITE	877	337	219	675	97.5	1012	35.2	1687

* light pattern indicates the size at 50% of peak intensity

LIGHT OUTPUT

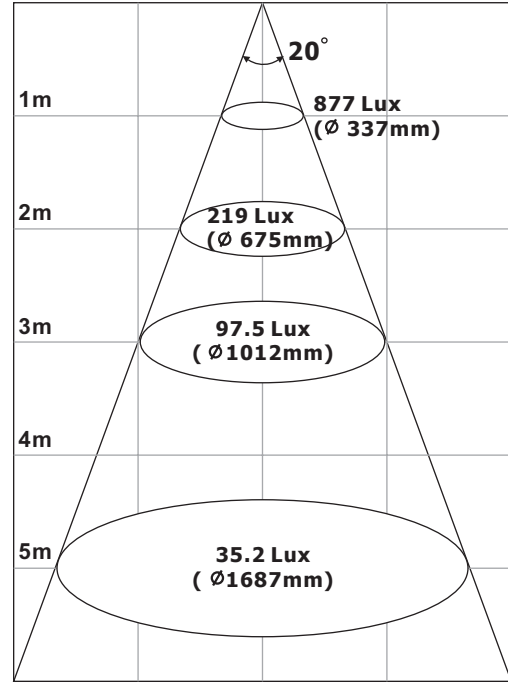
COLOR	Total (lumens)	Power(watts)	Efficacy(lm/W)
RED	34	2.1	16.2
GREEN	68	2.1	32.4
BLUE	12.2	2.1	n/a
AMBER	27.5	2.1	3.4
WHITE	142.5	8.4	17.0

* tested under RAY LED DRIVER control

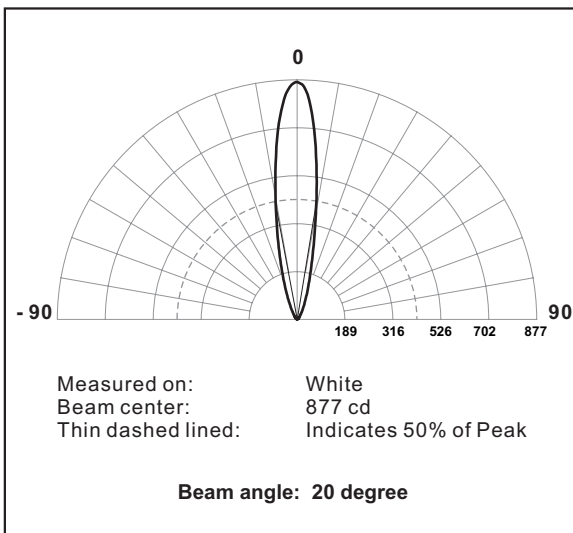
LIGHT COLOR

LED TYPE	COLOR TOTAL	TOTAL FLUX	LENGTH&COLOR TEMP
Luxeon Rebel	RED	40lm	627nm
Luxeon Rebel	GREEN	80lm	530nm
Luxeon Rebel	BLUE	250mW	455nm

Full intensity in white color

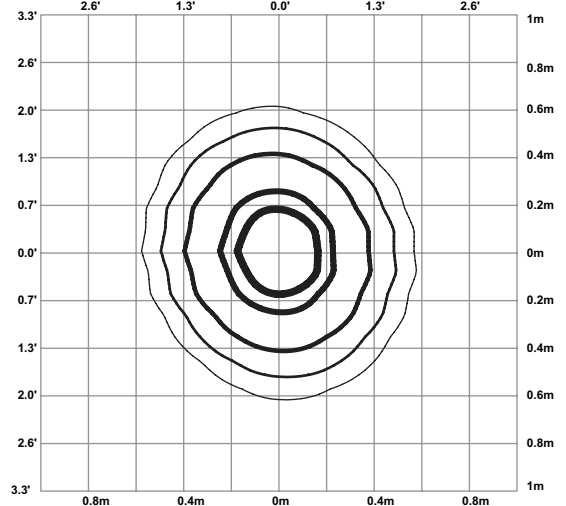


LIGHT DISTRIBUTION



IES file is also available

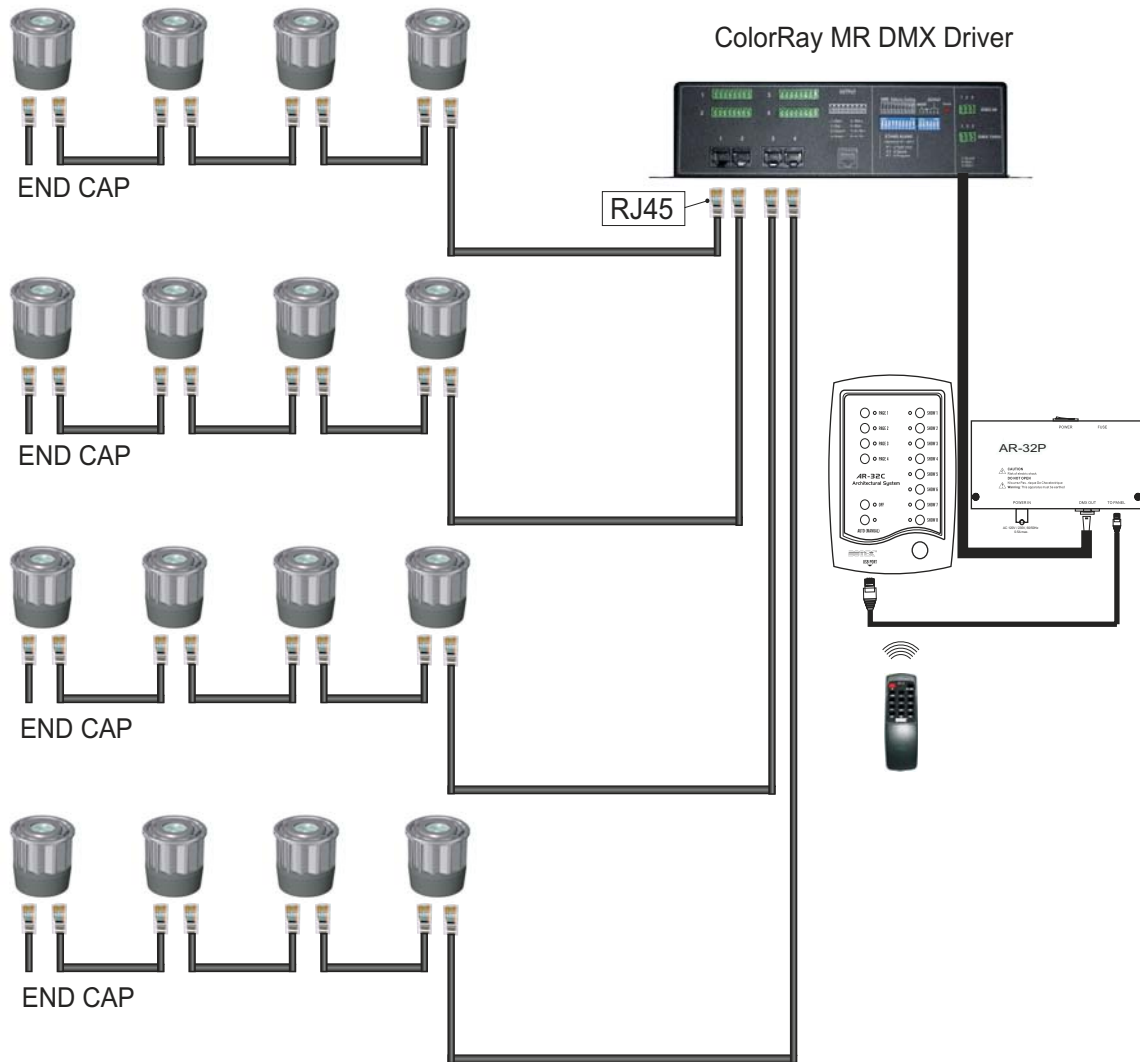
Isolux diagram



At 1m distance
 — 3% 26.34lx — 10% 87.75lx
 — 5% 43.88lx — 30% 263.25lx
 — 50% 438.75lx

** All rights reserved. Improvement and changes to specifications, design and all contents in this catalog, may be made at any time without prior notice.

► LEDs Driver System Schematic Diagram



** All rights reserved. Improvement and changes to specifications, design and all contents in this catalog, may be made at any time without prior notice.