

Indoor Lighting



T Lite MR-11 1 W is designed for a cool replacement for conventional Hologen MR-11 bulbs. The MR-11 1W will conserve energy and reduce heat in display units and showcases. Due to its optics, the MR-11 1W can enhance your products with tighter beam angles compared to conventional bulbs.

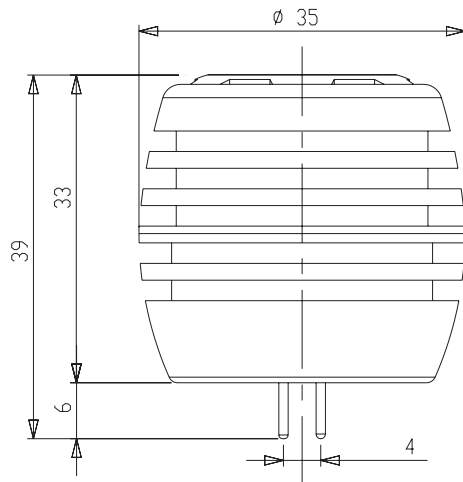
The MR-11 1W lamp fits into most standard low voltage MR-11 light fixtures with a GU 4 base. The MR-11 1W is available in 5 colors and has beam angle options.

SPECIFICATIONS

Color : 5 Colors	Red/Green/Blue/Amber/White/Warm white
Operation Voltage	12 V AC/DC
Power Consumption	2W Max
Source	1 Watt Luxeon LED
Source Life	100,000 hours
Base Type	MR 11 / GU 4
Operation temperature	-20 degC - +45 degC
Storage Temperature	-20 degC to +80 degC
Beam angle	10 standard, medium/wide/elliptical optional
Weight:	30g
Dimension:	35(D) x 39(H)mm

LED Color	Blue	Green	Amber	Red	White (CCT)	Warm White (CCT)
Dominant Wavelength	455	530	590	627	5500K °	3200K °
Spectral Half-width	20nm	35nm	14nm	20nm	----	----

PHYSICAL DIMENSIONS



ORDERING CODE

Part Number	Description
MR11-1W-RED-10-12V	MR-11 Red 1W Luxeon LED 10° Optic
MR11-1W-RED-16-12V	MR-11 Red 1W Luxeon LED 16° Optic
MR11-1W-GRN-10-12V	MR-11 Green 1W Luxeon LED 10° Optic
MR11-1W-GRN-16-12V	MR-11 Green 1W Luxeon LED 16° Optic
MR11-1W-BLU-10-12V	MR-11 Blue 1W Luxeon LED 10° Optic
MR11-1W-BLU-16-12V	MR-11 Blue 1W Luxeon LED 16° Optic
MR11-1W-AMB-10-12V	MR-11 Amber 1W Luxeon LED 10° Optic
MR11-1W-CW-10-12V	MR-11 CW 1W Luxeon LED 10° Optic
MR11-1W-CW-16-12V	MR-11 CW 1W Luxeon LED 16° Optic
MR11-1W-WW-10-12V	MR-11 WW 1W Luxeon LED 10° Optic
MR11-1W-WW-16-12V	MR-11 WW 1W Luxeon LED 16° Optic

** All rights reserved. Improvement and changes to specifications, design and all contents in this catalog, may be made at any time without prior notice.

PHOTOMETRIC DATA

15 DEGREE Light Source Specifications

Optics: Polycarbonate lens
 Light source: 1 high power Luxeon LED
 Beam angle: 12 deg
 Light distribution: symmetric direct illumination

Illuminance

COLOR	1m		2m		3m		5m	
	Lux	Size (mm)	Lux	Size (mm)	Lux	Size (mm)	Lux	Size (mm)
WHITE	260.2	247.5	65	495	29	742.5	10.4	1237.5

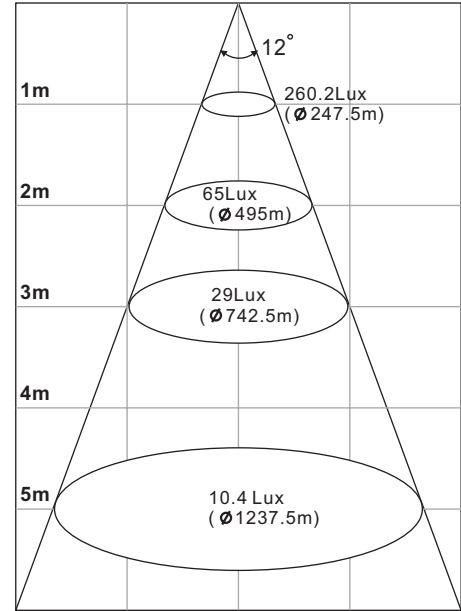
* light pattern indicates the size at 50% of peak intensity

Light output

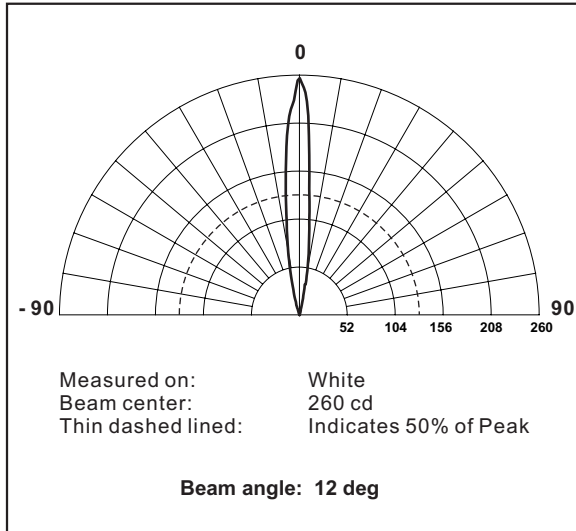
COLOR	Total (lumens)	Power(watts)	Efficacy(lm/W)
WHITE	22.00	1.5	14.7

*The power consumption is measured according to the DOE's latest recommendations.

Full intensity in white color (see note below)

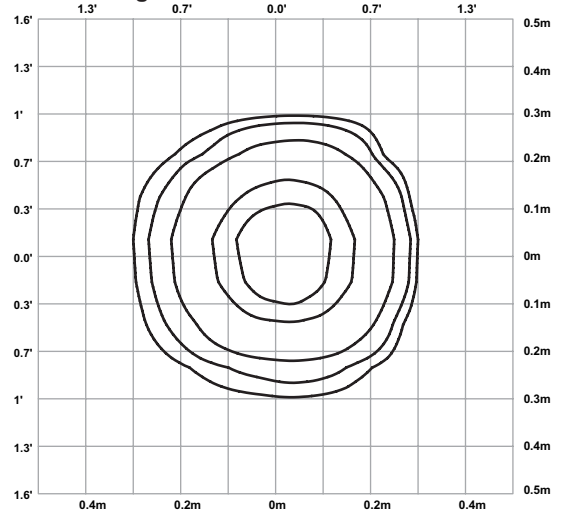


Light distribution



IES file is also available

Isolux diagram



At 1m distance

- 3% 7.8lx
- 5% 13.0lx
- 10% 26.0lx
- 30% 77.9lx
- 50% 129.8lx

Note: The beam angle characteristics or pattern shape is quite similar for White, Warm White, Blue and Green. Red and Amber will be slightly smaller.

** All rights reserved. Improvement and changes to specifications, design and all contents in this catalog, may be made at any time without prior notice.