

I n d o o r / O u t d o o r L E D L i g h t i n g

High power



LED Lighting

RoHS



## SHP-990 RGBA / WW

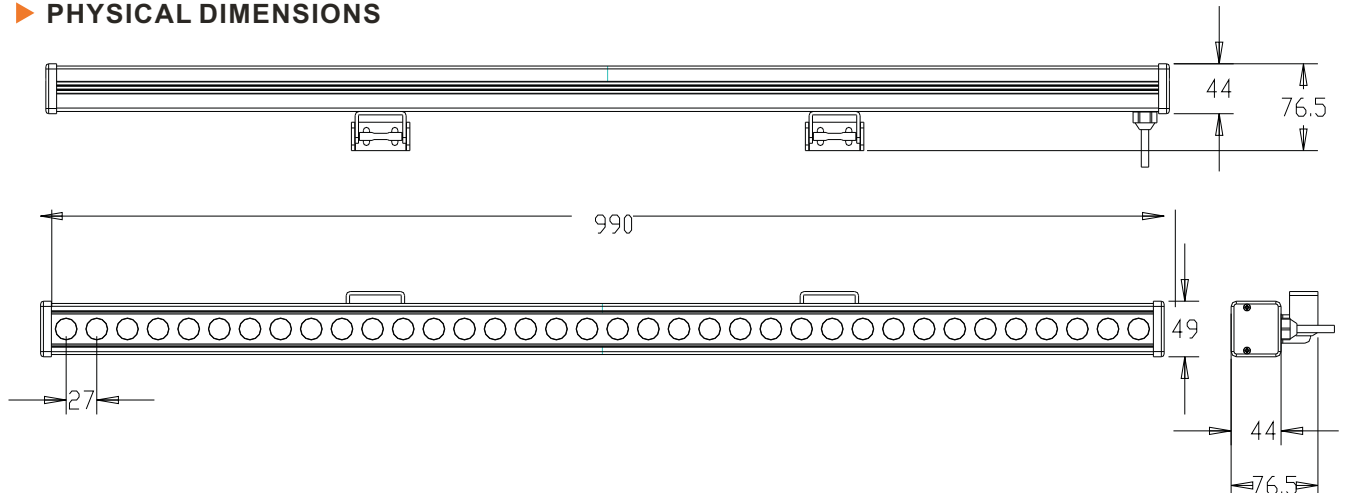
### ▶ ORDERING INFORMATION

Model	Color Range	Operating Voltage	Lens	No of LED	Cable	Driver
SHP-990-36RGBA	4.29 billion (32 bit)	C/C:350mA / 48Vdc	10x60	36	1m	Color Ray MR DMX Control
SHP-990-36-WW	2700K	48Vdc	10x60	36	1m	Ray Power

### ▶ SPECIFICATION

<b>SOURCE LIFE</b>	50,000 hours under normal operating conditions																														
<b>LIGHT SOURCE</b>	36 high power CREE (XP-E)LEDs																														
<b>POWER CONSUMPTION</b>	54Wmax.																														
<b>BEAM ANGLE</b>	10x60deg ( 15, 25 deg optional )																														
<b>EMISSION WAVE LENGTH</b>	<table border="1"> <thead> <tr> <th colspan="2">Red</th> <th colspan="2">Green</th> <th colspan="2">Blue</th> <th colspan="2">Amber</th> <th>W. White</th> <th>N. White</th> </tr> <tr> <th>Min.</th> <th>Max.</th> <th>Min.</th> <th>Max.</th> <th>Min.</th> <th>Max.</th> <th>Min.</th> <th>Max.</th> <th></th> <th></th> </tr> </thead> <tbody> <tr> <td>620</td> <td>630</td> <td>520</td> <td>535</td> <td>450</td> <td>465</td> <td>585</td> <td>595</td> <td>2700K</td> <td>4200K</td> </tr> </tbody> </table>	Red		Green		Blue		Amber		W. White	N. White	Min.	Max.	Min.	Max.	Min.	Max.	Min.	Max.			620	630	520	535	450	465	585	595	2700K	4200K
Red		Green		Blue		Amber		W. White	N. White																						
Min.	Max.	Min.	Max.	Min.	Max.	Min.	Max.																								
620	630	520	535	450	465	585	595	2700K	4200K																						
<b>CONNECTION</b>	8pin IP RATED connector																														
<b>LISTING</b>	CE certified																														
<b>HOUSING</b>	Anodized aluminum																														
<b>OPERATING TEMPERATURE</b>	-20°C ~ +60°C																														
<b>STORAGE TEMPERA TURE</b>	-20 °C ~ +80 °C																														
<b>POWER SUPPL Y</b>	Color Ray MR DMX Control																														
<b>DIMENSION</b>	990.0(L) x 49.0(W) x 76.5(H)mm																														
<b>IP RATING</b>	IP66																														
<b>WEIGHT</b>	25kg																														

### ▶ PHYSICAL DIMENSIONS



\*\* All rights reserved. Improvement and changes to specifications, design and all contents in this catalog, may be made at any time without prior notice.